

# 11938TB (4715TS)

## AC Axial Fan / Metal Blades

# 119<sup>□</sup>X38<sup>L</sup>



### General Specifications

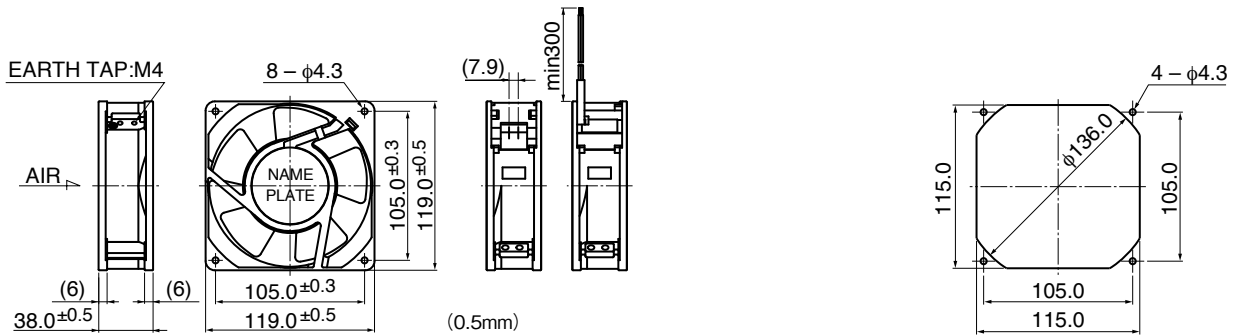
- Motor Structure : Shaded Pole Induction Motor
- Motor Protection : Thermal Protection
- Insulation Resistance : Min 100MΩ by DC 500V Megger
- Dielectric Withstand Voltage : AC1800V 3s
- Allowable Ambient : - 10°C ~ + 60°C (Operating)
- Temperature Range : - 40°C ~ + 70°C (Storage)  
non-condensing environment

**Expected Life** ※ Failure Rate: 10% (L10 Life)  
25°C 90,000 (Hours)

### Outline

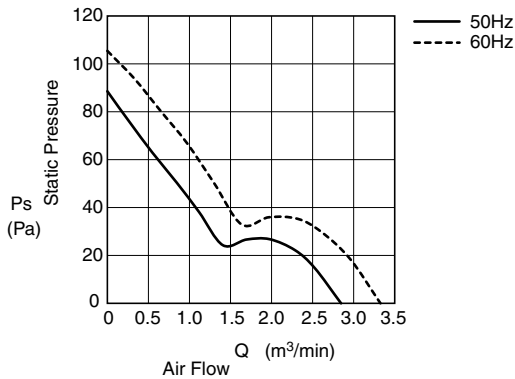
### Panel Out-cuts

(Inlet Side) /Outlet Side)



\* Only flange type casing is available.

### Characteristic Curves



### Material

- Casing : Aluminum (Black Painting)
- Impeller : Steel
- Bearing : Ball Bearing
- Terminal : Faston #110 or Equiv

\* Please inquire regarding the potting type (dust & oil-proof type).

Lead Wire type is also available.  
Lead Wire : UL3398 AWG22

### Specifications

Model	Product No.	Rating Voltage	Frequency	Starting Voltage	Current	Input Power	Speed	Max. Air Flow		Max. Static Pressure		Noise	Mass
		(V)	(Hz)	(V)	(A)*2	(W) <sup>+10% -20%</sup>	(min <sup>-1</sup> )*3	(m <sup>3</sup> /min)*1	(CFM)*1	(Pa)*1	(In H <sub>2</sub> O)*1	(dB)*1	(g)
11938TB-A0N-NP-	00	100	50	65	0.450	20.0	2600	2.80	100.0	88.0	0.35	46.0	610
			60		0.340	17.0	3100	3.30	117.9	100.0	0.40	50.0	
11938TB-A1N-NP-	00	115	50	75	0.390	21.0	2600	2.80	100.0	88.0	0.35	46.0	
			60		0.300	17.0	3100	3.30	117.9	100.0	0.40	50.0	
11938TB-B0N-NP-	00	200	50	130	0.220	21.0	2600	2.80	100.0	88.0	0.35	46.0	
			60		0.170	17.0	3100	3.30	117.9	100.0	0.40	50.0	
11938TB-B2N-NP-	00	220	50	145	0.200	20.0	2600	2.80	100.0	88.0	0.35	46.0	
			60		0.150	17.0	3100	3.30	117.9	100.0	0.40	50.0	
11938TB-B3N-NP-	00	230	50	175	0.190	21.0	2600	2.80	100.0	88.0	0.35	46.0	
			60		0.140	17.0	3100	3.30	117.9	100.0	0.40	50.0	
11938TB-B4N-NP-	00	240	50	175	0.180	20.0	2600	2.80	100.0	88.0	0.35	46.0	
			60		0.140	17.0	3100	3.30	117.9	100.0	0.40	50.0	

Rotation: Counterclockwise as seen from the label side  
Airflow Outlet: Label side

\*1: Average Values in Free Air  
\*2: Maximum Values in Free Air  
\*3: Minimum Values in Free Air